

## 480-OUTPUT TFT-LCD SOURCE DRIVER (COMPATIBLE WITH 64-GRAY SCALES)

### DESCRIPTION

The  $\mu$ PD16772B is a source driver for TFT-LCDs capable of dealing with displays with 64-gray scales. Data input is based on digital input configured as 6 bits by 6 dots (2 pixels), which can realize a full-color display of 260,000 colors by output of 64 values  $\gamma$ -corrected by an internal D/A converter and 5-by-2 external power modules. Because the output dynamic range is as large as  $V_{SS2} + 0.1$  V to  $V_{DD2} - 0.1$  V, level inversion operation of the LCD's common electrode is rendered unnecessary. Also, to be able to deal with dot-line inversion, n-line inversion and column line inversion when mounted on a single side, this source driver is equipped with a built-in 6-bit D/A converter circuit whose odd output pins and even output pins respectively output gray scale voltages of differing polarity. Assuring a clock frequency of 45 MHz when driving at 2.3 V, this driver is applicable to UXGA-standard TFT-LCD panels.

### FEATURES

- CMOS level input (2.3 to 3.6 V)
- 480 outputs
- Input of 6 bits (gradation data) by 6 dots
- Capable of outputting 64 values by means of 5-by-2 external power modules (10 units) and a D/A converter (R-DAC)
- Logic power supply voltage ( $V_{DD1}$ ): 2.3 to 3.6 V
- Driver power supply voltage ( $V_{DD2}$ ): 8.5 V  $\pm$  0.5 V
- Output dynamic range:  $V_{SS2} + 0.1$  V to  $V_{DD2} - 0.1$  V
- High-speed data transfer:  $f_{CLK} = 45$  MHz (internal data transfer speed when operating at  $V_{DD1} = 2.3$  V)
- Apply for dot-line inversion, n-line inversion and column line inversion
- Output voltage polarity inversion function (POL)
- Display data inversion function (POL21, POL22)
- Current consumption reduction function (LPC, Bcont)

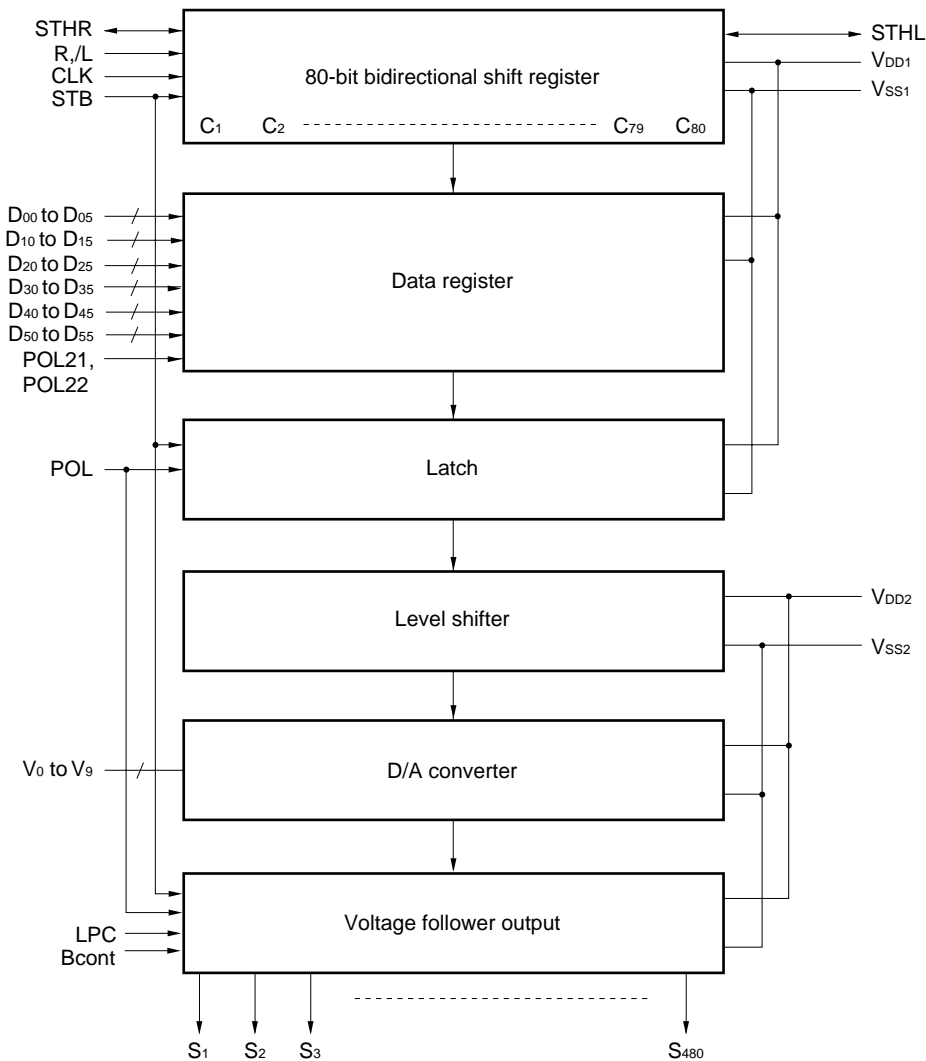
### ORDERING INFORMATION

Part Number	Package
$\mu$ PD16772BN-xxx	TCP (TAB package)

**Remark** The TCP's external shape is customized. To order the required shape, so please contact one of our sales representatives.

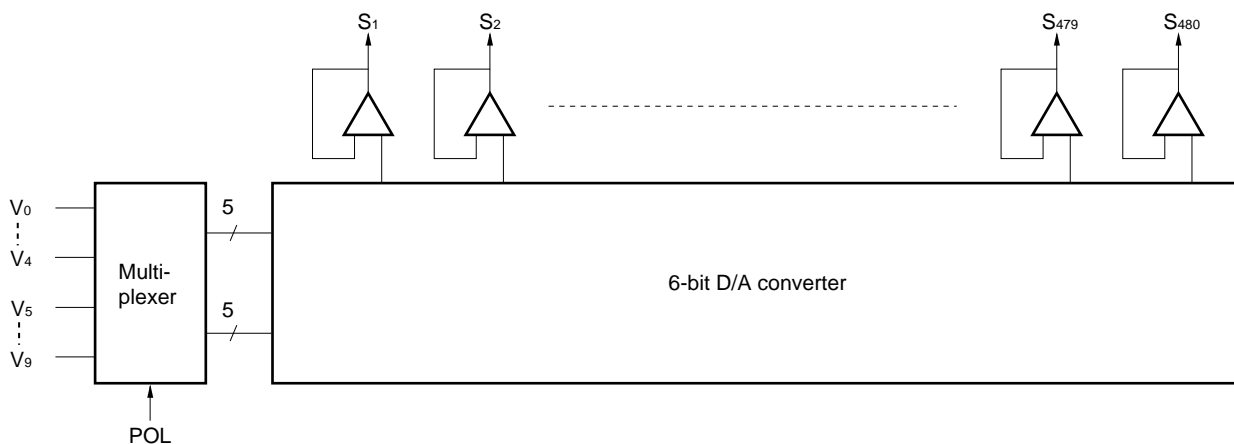
The information in this document is subject to change without notice. Before using this document, please confirm that this is the latest version.  
Not all devices/types available in every country. Please check with local NEC representative for availability and additional information.

★ 1. BLOCK DIAGRAM

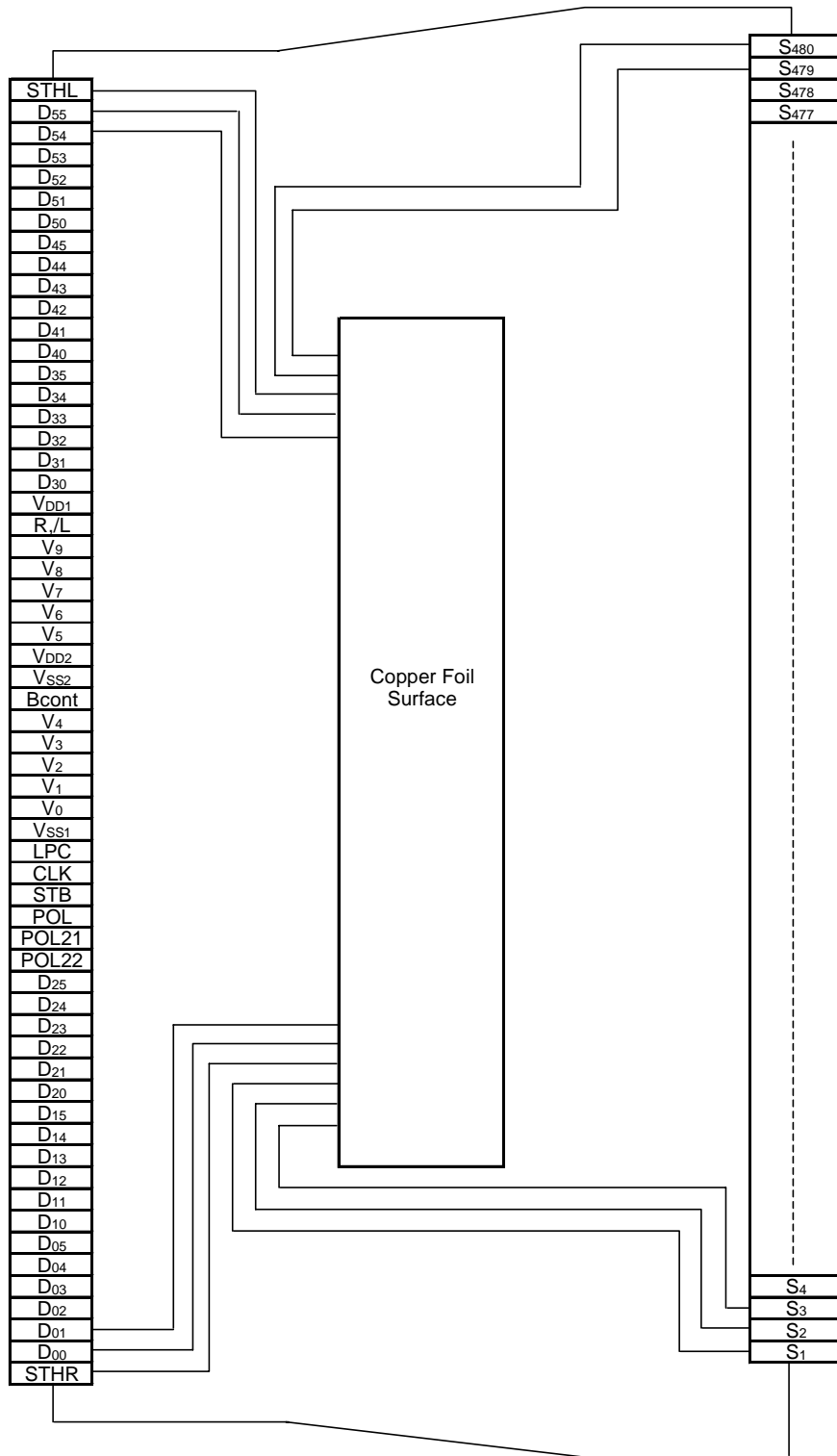


Remark /xxx indicates active low signal.

★ 2. RELATIONSHIP BETWEEN OUTPUT CIRCUIT AND D/A CONVERTER



3. PIN CONFIGURATION (μPD16772B) (Copper Foil Surface, Face-up)



**Remark** This figure does not specify the TCP package.

★ 4. PIN FUNCTIONS

(1/2)

Pin Symbol	Pin Name	I/O	Description
S <sub>1</sub> to S <sub>480</sub>	Driver	Output	The D/A converted 64-gray-scale analog voltage is output.
D <sub>00</sub> to D <sub>05</sub>	Display data	Input	The display data is input with a width of 36 bits, viz., the gray scale data (6 bits) by 6 dots (2 pixels). D <sub>X0</sub> : LSB, D <sub>X5</sub> : MSB
D <sub>10</sub> to D <sub>15</sub>			
D <sub>20</sub> to D <sub>25</sub>			
D <sub>30</sub> to D <sub>35</sub>			
D <sub>40</sub> to D <sub>45</sub>			
D <sub>50</sub> to D <sub>55</sub>			
R,/L	Shift direction control	Input	These refer to the start pulse I/O pins when driver ICs are connected in cascade. The shift directions of the shift registers are as follows. R,/L = H: STHR input, S <sub>1</sub> → S <sub>480</sub> , STHL output R,/L = L: STHL input, S <sub>480</sub> → S <sub>1</sub> , STHR output
STHR	Right shift start pulse	I/O	These refer to the start pulse I/O pins when driver ICs are connected in cascade. Fetching of display data starts when H is read at the rising edge of CLK. R,/L = H (right shift): STHR input, STHL output R,/L = L (left shift): STHL input, STHR output A high level should be input as the pulse of one cycle of the clock signal. If the start pulse input is more than 2 CLK, the first 1 CLK of the high-level input is valid.
STHL	Left shift start pulse	I/O	
CLK	Shift clock	Input	Refers to the shift register's shift clock input. The display data is incorporated into the data register at the rising edge. At the rising edge of the 80 <sup>th</sup> clock after the start pulse input, the start pulse output reaches the high level, thus becoming the start pulse of the next-level driver. If 82 clock pulses are input after input of the start pulse, input of display data is halted automatically. The contents of the shift register are cleared at the STB's rising edge.
STB	Latch	Input	The contents of the data register are transferred to the latch circuit at the rising edge. And, at the falling edge, the gray scale voltage is supplied to the driver. It is necessary to ensure input of one pulse per horizontal period.
POL	Polarity	Input	POL = L: The S <sub>2n-1</sub> output uses V <sub>0</sub> to V <sub>4</sub> as the reference supply. The S <sub>2n</sub> output uses V <sub>5</sub> to V <sub>9</sub> as the reference supply. POL = H: The S <sub>2n-1</sub> output uses V <sub>5</sub> to V <sub>9</sub> as the reference supply. The S <sub>2n</sub> output uses V <sub>0</sub> to V <sub>4</sub> as the reference supply. S <sub>2n-1</sub> indicates the odd output: and S <sub>2n</sub> indicates the even output. Input of the POL signal is allowed the setup time(t <sub>POL-STB</sub> ) with respect to STB's rising edge.
POL21, POL22	Data inversion	Input	Data inversion can invert when display data is loaded. POL21, POL22 = H: Data inversion loads display data after inverting it. POL21, POL22 = L: Data inversion does not invert input data. POL21: D <sub>00</sub> to D <sub>05</sub> , D <sub>10</sub> to D <sub>15</sub> , D <sub>20</sub> to D <sub>25</sub> POL22: D <sub>30</sub> to D <sub>35</sub> , D <sub>40</sub> to D <sub>45</sub> , D <sub>50</sub> to D <sub>55</sub>
LPC	Low power control	Input	The current consumption of V <sub>DD2</sub> is lowered by controlling the constant current source of the output amplifier. This pin is pulled up to the V <sub>DD1</sub> power supply inside the IC. For details, see <b>9. CURRENT CONSUMPTION REDUCTION FUNCTION.</b>
Bcont	Bias control	Input	This pin can be used to finely control the bias current inside the output amplifier. When this fine-control function is not required, leave this pin open. For details, see <b>9. CURRENT CONSUMPTION REDUCTION FUNCTION.</b>

(2/2)

Pin Symbol	Pin Name	I/O	Description
V <sub>0</sub> to V <sub>9</sub>	γ-corrected power supplies	–	Input the γ-corrected power supplies from outside by using operational amplifier. Make sure to maintain the following relationships. During the gray scale voltage output, be sure to keep the gray scale level power supply at a constant level. $V_{DD2} - 0.1 V \geq V_0 > V_1 > V_2 > V_3 > V_4 \geq 0.5 V_{DD2}$ $0.5 V_{DD2} \geq V_5 > V_6 > V_7 > V_8 > V_9 \geq V_{SS2} + 0.1 V$
V <sub>DD1</sub>	Logic power supply	–	2.3 to 3.6 V
V <sub>DD2</sub>	Driver power supply	–	8.5 V ± 0.5 V
V <sub>SS1</sub>	Logic ground	–	Grounding
V <sub>SS2</sub>	Driver ground	–	Grounding

- Cautions**
- 1. The power start sequence must be V<sub>DD1</sub>, logic input, and V<sub>DD2</sub> & V<sub>0</sub> to V<sub>9</sub> in that order. Reverse this sequence to shut down (Simultaneous power application to V<sub>DD2</sub> and V<sub>0</sub> to V<sub>9</sub> is possible.).**
  - 2. To stabilize the supply voltage, please be sure to insert a 0.1 μF bypass capacitor between V<sub>DD1</sub>-V<sub>SS1</sub> and V<sub>DD2</sub>-V<sub>SS2</sub>. Furthermore, for increased precision of the D/A converter, insertion of a bypass capacitor of about 0.01 μF is also advised between the γ-corrected power supply terminals (V<sub>0</sub>, V<sub>1</sub>, V<sub>2</sub>,..., V<sub>9</sub>) and V<sub>SS2</sub>.**

5. RELATIONSHIP BETWEEN INPUT DATA AND OUTPUT VOLTAGE VALUE

The μ PD16772B incorporates a 6-bit D/A converter whose odd output pins and even output pins output respectively gray scale voltages of differing polarity with respect to the LCD's counter electrode (common electrode) voltage. The D/A converter consists of ladder resistors and switches.

The ladder resistors (r0 to r62) are designed so that the ratio of LCD panel γ-compensated voltages to V<sub>0'</sub> to V<sub>63'</sub> and V<sub>0''</sub> to V<sub>63''</sub> is almost equivalent. For the 2 sets of five γ-compensated power supplies, V<sub>0</sub> to V<sub>4</sub> and V<sub>5</sub> to V<sub>9</sub>, respectively, input gray scale voltages of the same polarity with respect to the common voltage. When fine gray scale voltage precision is not necessary, there is no need to connect a voltage follower circuit to the γ-compensated power supplies V<sub>1</sub> to V<sub>3</sub> and V<sub>6</sub> to V<sub>8</sub>.

Figure 5-1 shows the relationship between the driving voltages such as liquid-crystal driving voltages V<sub>DD2</sub> and V<sub>SS2</sub>, common electrode potential V<sub>COM</sub>, and γ-corrected voltages V<sub>0</sub> to V<sub>9</sub> and the input data. Be sure to maintain the voltage relationships as follows.

$$V_{DD2} - 0.1 V \geq V_0 > V_1 > V_2 > V_3 > V_4 \geq 0.5 V_{DD2}$$

$$0.5 V_{DD2} \geq V_5 > V_6 > V_7 > V_8 > V_9 \geq V_{SS2} + 0.1 V$$

Figure 5-2 shows γ-corrected power supply voltage and ladder resistors ratio and Figure 5-3 shows the relationship between the input data and the output voltage and the resistance values of the resistor strings.

Figure 5-1. Relationship between Input Data and γ-corrected Power Supplies

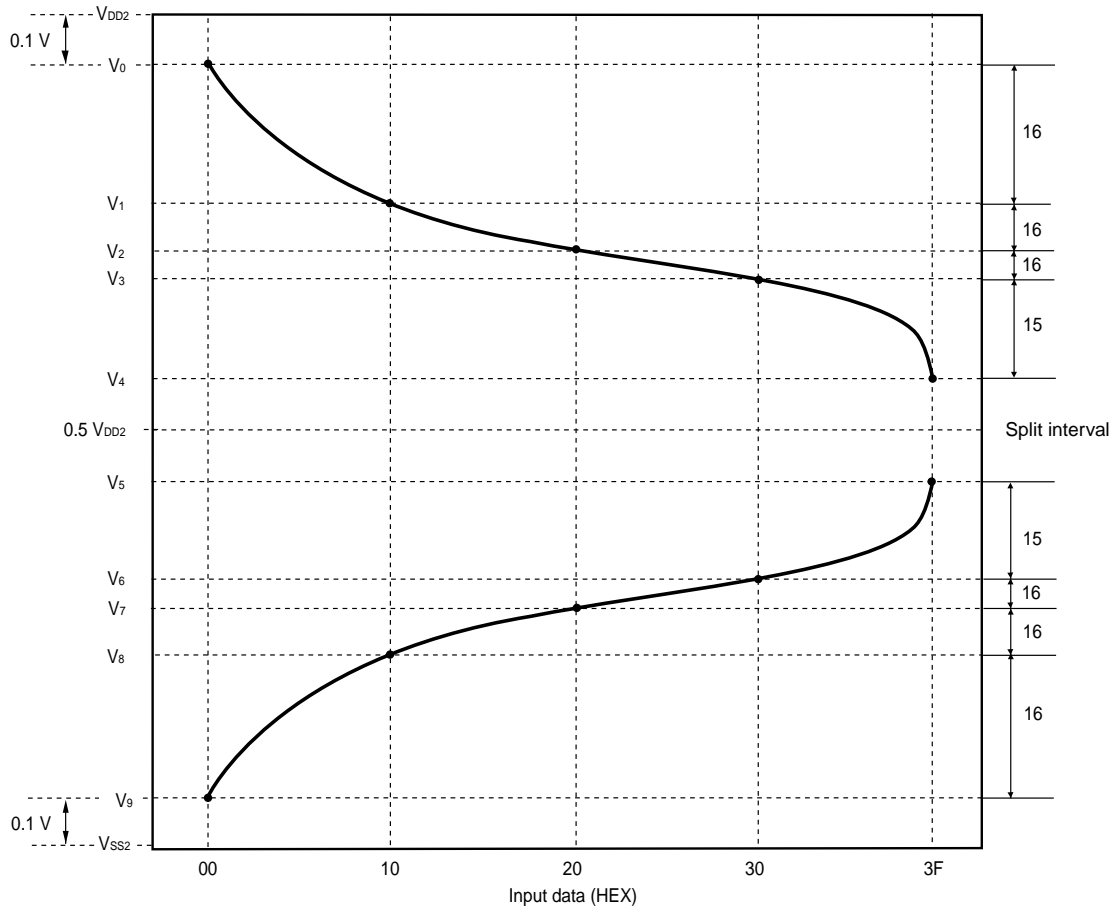
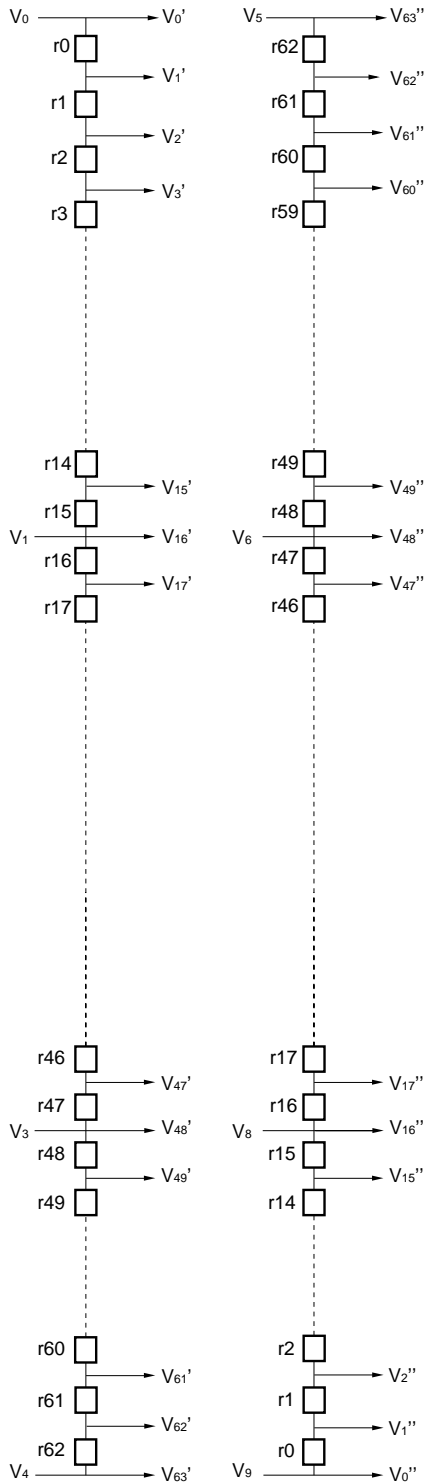


Figure 5–2.  $\gamma$ -corrected Power Supply Voltage and Ladder Resistors Ratio



rn	Value	Ratio (1)	Ratio (2)
r0	722	7.68	0.0454
r1	628	6.68	0.0395
r2	628	6.68	0.0395
r3	596	6.34	0.0375
r4	596	6.34	0.0375
r5	502	5.34	0.0315
r6	470	5.00	0.0295
r7	454	4.83	0.0285
r8	454	4.83	0.0285
r9	408	4.34	0.0256
r10	330	3.51	0.0207
r11	298	3.17	0.0187
r12	266	2.83	0.0167
r13	266	2.83	0.0167
r14	236	2.51	0.0148
r15	220	2.34	0.0138
r16	204	2.17	0.0128
r17	204	2.17	0.0128
r18	172	1.83	0.0108
r19	156	1.66	0.0098
r20	156	1.66	0.0098
r21	142	1.51	0.0089
r22	142	1.51	0.0089
r23	142	1.51	0.0089
r24	142	1.51	0.0089
r25	126	1.34	0.0079
r26	126	1.34	0.0079
r27	110	1.17	0.0069
r28	110	1.17	0.0069
r29	110	1.17	0.0069
r30	110	1.17	0.0069
r31	110	1.17	0.0069
r32	110	1.17	0.0069
r33	110	1.17	0.0069
r34	94	1.00	0.0059
r35	94	1.00	0.0059
r36	94	1.00	0.0059
r37	110	1.17	0.0069
r38	110	1.17	0.0069
r39	94	1.00	0.0059
r40	110	1.17	0.0069
r41	94	1.00	0.0059
r42	110	1.17	0.0069
r43	94	1.00	0.0059
r44	110	1.17	0.0069
r45	126	1.34	0.0079
r46	110	1.17	0.0069
r47	110	1.17	0.0069
r48	110	1.17	0.0069
r49	126	1.34	0.0079
r50	126	1.34	0.0079
r51	126	1.34	0.0079
r52	142	1.51	0.0089
r53	142	1.51	0.0089
r54	126	1.34	0.0079
r55	188	2.00	0.0118
r56	188	2.00	0.0118
r57	220	2.34	0.0138
r58	220	2.34	0.0138
r59	236	2.51	0.0148
r60	360	3.83	0.0226
r61	564	6.00	0.0354
r62	2022	21.51	0.1271
rtotal	15912	169.28	1.0000

**Remark** The resistance ratio1 is a relative ratio in the case of setting the minimum resistance value to 1.  
 The resistance ratio2 is a relative ratio in the case of setting the total resistance to 1.

**Caution** There is no connection between V4 and V5 terminal in the chip.

★ Figure 5-3. Relationship between Input Data and Output Voltage (POL21, POL22 = L)

(Output Voltage 1)  $V_{DD2} - 0.1\text{ V} \geq V_0 > V_1 > V_2 > V_3 > V_4 \geq 0.5 V_{DD2}$

(Output Voltage 2)  $0.5 V_{DD2} \geq V_5 > V_6 > V_7 > V_8 > V_9 \geq V_{SS2} + 0.1\text{ V}$

Input Data	Output Voltage1				Output Voltage2			
	$V_0$	$V_0$			$V_0^*$	$V_9$		
00H	$V_0$	$V_0$			$V_0^*$	$V_9$		
01H	$V_1$	$V_1+(V_0-V_1) \times$	6352 /	7074	$V_1^*$	$V_9+(V_8-V_9) \times$	722 /	7074
02H	$V_2$	$V_1+(V_0-V_1) \times$	5724 /	7074	$V_2^*$	$V_9+(V_8-V_9) \times$	1350 /	7074
03H	$V_3$	$V_1+(V_0-V_1) \times$	5096 /	7074	$V_3^*$	$V_9+(V_8-V_9) \times$	1978 /	7074
04H	$V_4$	$V_1+(V_0-V_1) \times$	4500 /	7074	$V_4^*$	$V_9+(V_8-V_9) \times$	2574 /	7074
05H	$V_5$	$V_1+(V_0-V_1) \times$	3904 /	7074	$V_5^*$	$V_9+(V_8-V_9) \times$	3170 /	7074
06H	$V_6$	$V_1+(V_0-V_1) \times$	3402 /	7074	$V_6^*$	$V_9+(V_8-V_9) \times$	3672 /	7074
07H	$V_7$	$V_1+(V_0-V_1) \times$	2932 /	7074	$V_7^*$	$V_9+(V_8-V_9) \times$	4142 /	7074
08H	$V_8$	$V_1+(V_0-V_1) \times$	2478 /	7074	$V_8^*$	$V_9+(V_8-V_9) \times$	4596 /	7074
09H	$V_9$	$V_1+(V_0-V_1) \times$	2024 /	7074	$V_9^*$	$V_9+(V_8-V_9) \times$	5050 /	7074
0AH	$V_{10}$	$V_1+(V_0-V_1) \times$	1616 /	7074	$V_{10}^*$	$V_9+(V_8-V_9) \times$	5458 /	7074
0BH	$V_{11}$	$V_1+(V_0-V_1) \times$	1286 /	7074	$V_{11}^*$	$V_9+(V_8-V_9) \times$	5788 /	7074
0CH	$V_{12}$	$V_1+(V_0-V_1) \times$	988 /	7074	$V_{12}^*$	$V_9+(V_8-V_9) \times$	6086 /	7074
0DH	$V_{13}$	$V_1+(V_0-V_1) \times$	722 /	7074	$V_{13}^*$	$V_9+(V_8-V_9) \times$	6352 /	7074
0EH	$V_{14}$	$V_1+(V_0-V_1) \times$	456 /	7074	$V_{14}^*$	$V_9+(V_8-V_9) \times$	6618 /	7074
0FH	$V_{15}$	$V_1+(V_0-V_1) \times$	220 /	7074	$V_{15}^*$	$V_9+(V_8-V_9) \times$	6854 /	7074
10H	$V_{16}$	$V_1$			$V_{16}^*$	$V_8$		
11H	$V_{17}$	$V_2+(V_1-V_2) \times$	2058 /	2262	$V_{17}^*$	$V_8+(V_7-V_8) \times$	204 /	2262
12H	$V_{18}$	$V_2+(V_1-V_2) \times$	1854 /	2262	$V_{18}^*$	$V_8+(V_7-V_8) \times$	408 /	2262
13H	$V_{19}$	$V_2+(V_1-V_2) \times$	1682 /	2262	$V_{19}^*$	$V_8+(V_7-V_8) \times$	580 /	2262
14H	$V_{20}$	$V_2+(V_1-V_2) \times$	1526 /	2262	$V_{20}^*$	$V_8+(V_7-V_8) \times$	736 /	2262
15H	$V_{21}$	$V_2+(V_1-V_2) \times$	1370 /	2262	$V_{21}^*$	$V_8+(V_7-V_8) \times$	892 /	2262
16H	$V_{22}$	$V_2+(V_1-V_2) \times$	1228 /	2262	$V_{22}^*$	$V_8+(V_7-V_8) \times$	1034 /	2262
17H	$V_{23}$	$V_2+(V_1-V_2) \times$	1086 /	2262	$V_{23}^*$	$V_8+(V_7-V_8) \times$	1176 /	2262
18H	$V_{24}$	$V_2+(V_1-V_2) \times$	944 /	2262	$V_{24}^*$	$V_8+(V_7-V_8) \times$	1318 /	2262
19H	$V_{25}$	$V_2+(V_1-V_2) \times$	802 /	2262	$V_{25}^*$	$V_8+(V_7-V_8) \times$	1460 /	2262
1AH	$V_{26}$	$V_2+(V_1-V_2) \times$	676 /	2262	$V_{26}^*$	$V_8+(V_7-V_8) \times$	1586 /	2262
1BH	$V_{27}$	$V_2+(V_1-V_2) \times$	550 /	2262	$V_{27}^*$	$V_8+(V_7-V_8) \times$	1712 /	2262
1CH	$V_{28}$	$V_2+(V_1-V_2) \times$	440 /	2262	$V_{28}^*$	$V_8+(V_7-V_8) \times$	1822 /	2262
1DH	$V_{29}$	$V_2+(V_1-V_2) \times$	330 /	2262	$V_{29}^*$	$V_8+(V_7-V_8) \times$	1932 /	2262
1EH	$V_{30}$	$V_2+(V_1-V_2) \times$	220 /	2262	$V_{30}^*$	$V_8+(V_7-V_8) \times$	2042 /	2262
1FH	$V_{31}$	$V_2+(V_1-V_2) \times$	110 /	2262	$V_{31}^*$	$V_8+(V_7-V_8) \times$	2152 /	2262
20H	$V_{32}$	$V_2$			$V_{32}^*$	$V_7$		
21H	$V_{33}$	$V_3+(V_2-V_3) \times$	1570 /	1680	$V_{33}^*$	$V_7+(V_6-V_7) \times$	110 /	1680
22H	$V_{34}$	$V_3+(V_2-V_3) \times$	1460 /	1680	$V_{34}^*$	$V_7+(V_6-V_7) \times$	220 /	1680
23H	$V_{35}$	$V_3+(V_2-V_3) \times$	1366 /	1680	$V_{35}^*$	$V_7+(V_6-V_7) \times$	314 /	1680
24H	$V_{36}$	$V_3+(V_2-V_3) \times$	1272 /	1680	$V_{36}^*$	$V_7+(V_6-V_7) \times$	408 /	1680
25H	$V_{37}$	$V_3+(V_2-V_3) \times$	1178 /	1680	$V_{37}^*$	$V_7+(V_6-V_7) \times$	502 /	1680
26H	$V_{38}$	$V_3+(V_2-V_3) \times$	1068 /	1680	$V_{38}^*$	$V_7+(V_6-V_7) \times$	612 /	1680
27H	$V_{39}$	$V_3+(V_2-V_3) \times$	958 /	1680	$V_{39}^*$	$V_7+(V_6-V_7) \times$	722 /	1680
28H	$V_{40}$	$V_3+(V_2-V_3) \times$	864 /	1680	$V_{40}^*$	$V_7+(V_6-V_7) \times$	816 /	1680
29H	$V_{41}$	$V_3+(V_2-V_3) \times$	754 /	1680	$V_{41}^*$	$V_7+(V_6-V_7) \times$	926 /	1680
2AH	$V_{42}$	$V_3+(V_2-V_3) \times$	660 /	1680	$V_{42}^*$	$V_7+(V_6-V_7) \times$	1020 /	1680
2BH	$V_{43}$	$V_3+(V_2-V_3) \times$	550 /	1680	$V_{43}^*$	$V_7+(V_6-V_7) \times$	1130 /	1680
2CH	$V_{44}$	$V_3+(V_2-V_3) \times$	456 /	1680	$V_{44}^*$	$V_7+(V_6-V_7) \times$	1224 /	1680
2DH	$V_{45}$	$V_3+(V_2-V_3) \times$	346 /	1680	$V_{45}^*$	$V_7+(V_6-V_7) \times$	1334 /	1680
2EH	$V_{46}$	$V_3+(V_2-V_3) \times$	220 /	1680	$V_{46}^*$	$V_7+(V_6-V_7) \times$	1460 /	1680
2FH	$V_{47}$	$V_3+(V_2-V_3) \times$	110 /	1680	$V_{47}^*$	$V_7+(V_6-V_7) \times$	1570 /	1680
30H	$V_{48}$	$V_3$			$V_{48}^*$	$V_6$		
31H	$V_{49}$	$V_4+(V_3-V_4) \times$	4786 /	4896	$V_{49}^*$	$V_6+(V_5-V_6) \times$	110 /	4896
32H	$V_{50}$	$V_4+(V_3-V_4) \times$	4660 /	4896	$V_{50}^*$	$V_6+(V_5-V_6) \times$	236 /	4896
33H	$V_{51}$	$V_4+(V_3-V_4) \times$	4534 /	4896	$V_{51}^*$	$V_6+(V_5-V_6) \times$	362 /	4896
34H	$V_{52}$	$V_4+(V_3-V_4) \times$	4408 /	4896	$V_{52}^*$	$V_6+(V_5-V_6) \times$	488 /	4896
35H	$V_{53}$	$V_4+(V_3-V_4) \times$	4266 /	4896	$V_{53}^*$	$V_6+(V_5-V_6) \times$	630 /	4896
36H	$V_{54}$	$V_4+(V_3-V_4) \times$	4124 /	4896	$V_{54}^*$	$V_6+(V_5-V_6) \times$	772 /	4896
37H	$V_{55}$	$V_4+(V_3-V_4) \times$	3998 /	4896	$V_{55}^*$	$V_6+(V_5-V_6) \times$	898 /	4896
38H	$V_{56}$	$V_4+(V_3-V_4) \times$	3810 /	4896	$V_{56}^*$	$V_6+(V_5-V_6) \times$	1086 /	4896
39H	$V_{57}$	$V_4+(V_3-V_4) \times$	3622 /	4896	$V_{57}^*$	$V_6+(V_5-V_6) \times$	1274 /	4896
3AH	$V_{58}$	$V_4+(V_3-V_4) \times$	3402 /	4896	$V_{58}^*$	$V_6+(V_5-V_6) \times$	1494 /	4896
3BH	$V_{59}$	$V_4+(V_3-V_4) \times$	3182 /	4896	$V_{59}^*$	$V_6+(V_5-V_6) \times$	1714 /	4896
3CH	$V_{60}$	$V_4+(V_3-V_4) \times$	2946 /	4896	$V_{60}^*$	$V_6+(V_5-V_6) \times$	1950 /	4896
3DH	$V_{61}$	$V_4+(V_3-V_4) \times$	2586 /	4896	$V_{61}^*$	$V_6+(V_5-V_6) \times$	2310 /	4896
3EH	$V_{62}$	$V_4+(V_3-V_4) \times$	2022 /	4896	$V_{62}^*$	$V_6+(V_5-V_6) \times$	2874 /	4896
3FH	$V_{63}$	$V_4$			$V_{63}^*$	$V_5$		



6. RELATIONSHIP BETWEEN INPUT DATA AND OUTPUT PIN

Data format : 6 bits x 2 RGBs (6 dots)

Input width : 36 bits (2-pixel data)

(1) R,/L = H (Right shift)

Output	S <sub>1</sub>	S <sub>2</sub>	S <sub>3</sub>	S <sub>4</sub>	...	S <sub>479</sub>	S <sub>480</sub>
Data	D <sub>00</sub> to D <sub>05</sub>	D <sub>10</sub> to D <sub>15</sub>	D <sub>20</sub> to D <sub>25</sub>	D <sub>30</sub> to D <sub>35</sub>	...	D <sub>40</sub> to D <sub>45</sub>	D <sub>50</sub> to D <sub>55</sub>

(2) R,/L = L (Left shift)

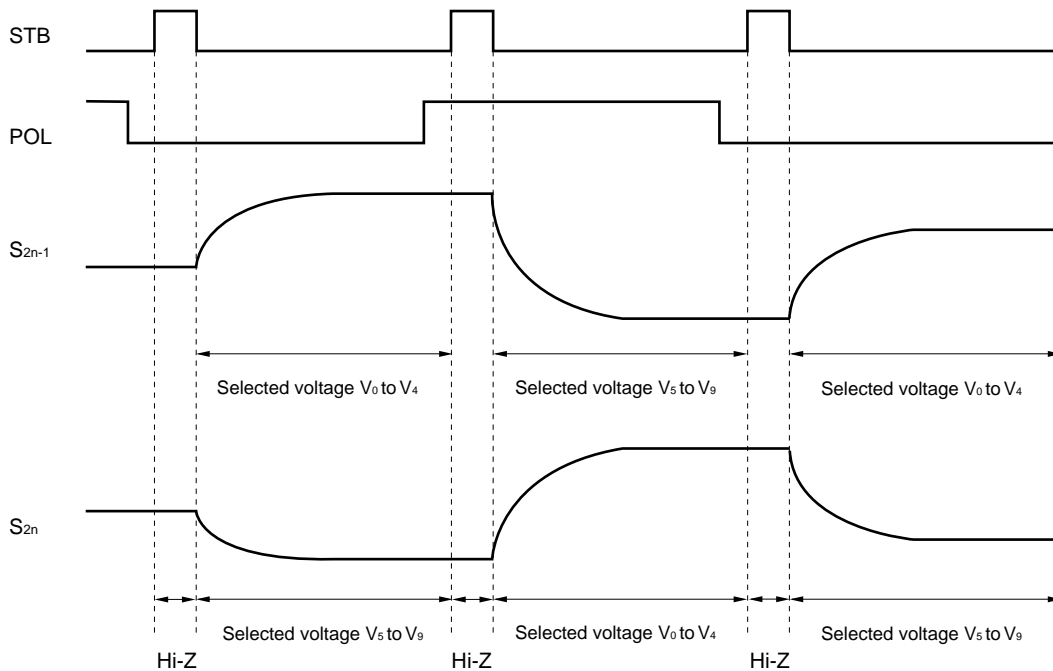
Output	S <sub>1</sub>	S <sub>2</sub>	S <sub>3</sub>	S <sub>4</sub>	...	S <sub>479</sub>	S <sub>480</sub>
Data	D <sub>00</sub> to D <sub>05</sub>	D <sub>10</sub> to D <sub>15</sub>	D <sub>20</sub> to D <sub>25</sub>	D <sub>30</sub> to D <sub>35</sub>	...	D <sub>40</sub> to D <sub>45</sub>	D <sub>50</sub> to D <sub>55</sub>

POL	<b>Note</b> S <sub>2n-1</sub>	<b>Note</b> S <sub>2n</sub>
L	V <sub>0</sub> to V <sub>4</sub>	V <sub>5</sub> to V <sub>9</sub>
H	V <sub>5</sub> to V <sub>9</sub>	V <sub>0</sub> to V <sub>4</sub>

**Note** S<sub>2n-1</sub> (Odd output), S<sub>2n</sub> (Even output)

★ 7. RELATIONSHIP BETWEEN STB, POL AND OUTPUT WAVEFORM

The output voltage is written to the LCD panel synchronized with the STB falling edge.



★ 8. RELATIONSHIP BETWEEN STB, CLK AND OUTPUT WAVEFORM

Figure 8-1. Output Circuit Block Diagram

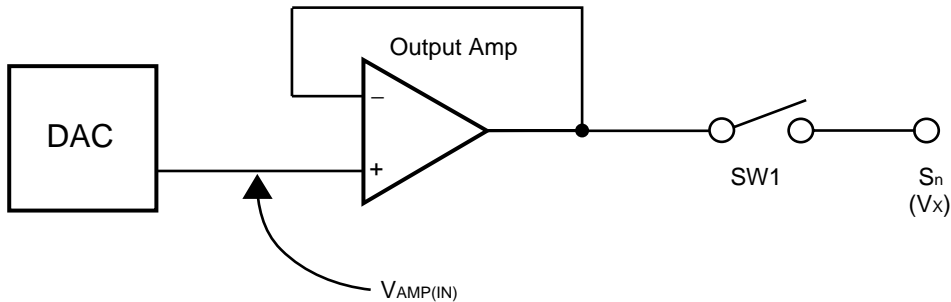
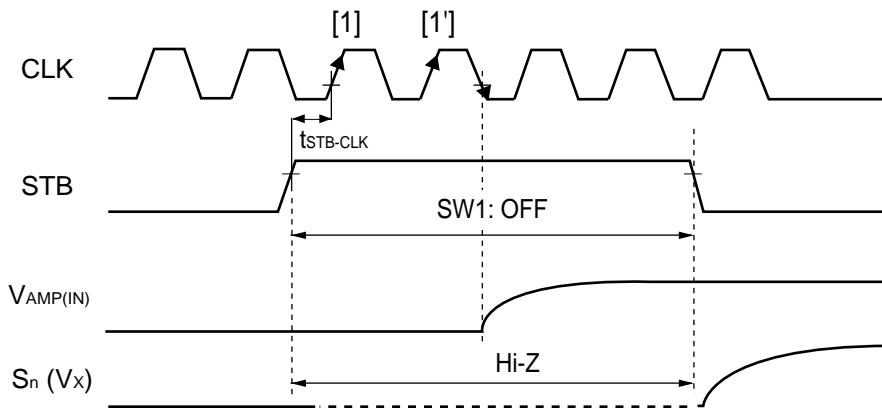


Figure 8-2. Output Circuit Timing Waveform



The output voltage is written to the LCD panel synchronized with the STB falling edge. STB = H is loaded with the rising edge of CLK [1]. However, when not satisfying the specification of  $t_{STB-CLK}$ , STB = H is loaded with the rising edge of the next CLK [1']. Latch operation of display data is completed with the falling edge of the next CLK which loaded STB = H. Therefore, in order to complete latch operation of display data, it is necessary to input at least 2 CLK in STB = H period. Besides, after loading STB = H to the timing of [1], it is necessary to continue inputting CLK.

9. CURRENT CONSUMPTION REDUCTION FUNCTION

The μPD16772B has a low power control function (LPC) which can switch the bias current of the output amplifier between two levels and a bias control function (Bcont) which can be used to finely control the bias current.

• Low Power Control Function (LPC)

The bias current of the output amplifier can be switched between two levels using this pin (Bcont: Open).

LPC = H or Open: Low power mode

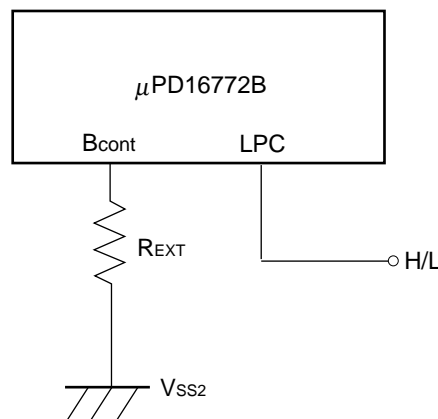
LPC = L: Normal power mode

The  $V_{DD2}$  of static current consumption can be reduced to two thirds of that in normal mode. Input a stable DC current ( $V_{DD1}/V_{SS1}$ ) to this pin.

• Bias Current Control Function (Bcont)

It is possible to fine-control the current consumption by using the bias current control function (Bcont pin). When using this function, connect this pin to the stabilized ground potential ( $V_{SS2}$ ) via an external resistor ( $R_{EXT}$ ). When not using this function, leave this pin open.

Figure 9–1. Bias Current Control Function (Bcont)



Refer to the table below for the percentage of current regulation when using the bias current control function.

Table 9–1. Current Consumption Regulation Percentage Compared to Normal Mode ( $V_{DD1} = 3.3\text{ V}$ ,  $V_{DD2} = 8.7\text{ V}$ )

R <sub>EXT</sub> (kΩ)	Current Consumption Regulation Percentage (%)	
	LPC = L	LPC = H/Open
∞ (Open)	100	65
50	120	80
20	140	100
0	240	210

**Remark** The above current consumption regulation percentages are not product-characteristic guaranteed as they are based on the results of simulation.

**Caution** Because the low-power and bias-current control functions control the bias current in the output amplifier and regulate the over-all current consumption of the driver IC, when this occurs, the characteristics of the output amplifier will simultaneously change. Therefore, when using these functions, be sure to sufficiently evaluate the picture quality.

10. ELECTRICAL SPECIFICATIONS

**Absolute Maximum Ratings (T<sub>A</sub> = 25°C, V<sub>SS1</sub> = V<sub>SS2</sub> = 0 V)**

Parameter	Symbol	Rating	Unit
Logic Part Supply Voltage	V <sub>DD1</sub>	-0.5 to +4.0	V
Driver Part Supply Voltage	V <sub>DD2</sub>	-0.5 to +10.0	V
Logic Part Input Voltage	V <sub>I1</sub>	-0.5 to V <sub>DD1</sub> + 0.5	V
Driver Part Input Voltage	V <sub>I2</sub>	-0.5 to V <sub>DD2</sub> + 0.5	V
Logic Part Output Voltage	V <sub>O1</sub>	-0.5 to V <sub>DD1</sub> + 0.5	V
Driver Part Output Voltage	V <sub>O2</sub>	-0.5 to V <sub>DD2</sub> + 0.5	V
Operating Ambient Temperature	T <sub>A</sub>	-10 to +75	°C
Storage Temperature	T <sub>stg</sub>	-55 to +125	°C

**Caution** Product quality may suffer if the absolute maximum rating is exceeded even momentarily for any parameter. That is, the absolute maximum ratings are rated values at which the product is on the verge of suffering physical damage, and therefore the product must be used under conditions that ensure that the absolute maximum ratings are not exceeded.

**Recommended Operating Range (T<sub>A</sub> = -10 to +75°C, V<sub>SS1</sub> = V<sub>SS2</sub> = 0 V)**

Parameter	Symbol	Condition	MIN.	TYP.	MAX.	Unit
Logic Part Supply Voltage	V <sub>DD1</sub>		2.3		3.6	V
Driver Part Supply Voltage	V <sub>DD2</sub>		8.0	8.5	9.0	V
High-Level Input Voltage	V <sub>IH</sub>		0.7 V <sub>DD1</sub>		V <sub>DD1</sub>	V
Low-Level Input Voltage	V <sub>IL</sub>		0		0.3 V <sub>DD1</sub>	V
★ γ-Corrected Voltage	V <sub>0</sub> to V <sub>4</sub>		0.5 V <sub>DD2</sub>		V <sub>DD2</sub> - 0.1	V
	V <sub>5</sub> to V <sub>9</sub>		0.1		0.5 V <sub>DD2</sub>	V
Driver Part Output Voltage	V <sub>O</sub>		0.1		V <sub>DD2</sub> - 0.1	V
Clock Frequency	f <sub>CLK</sub>	V <sub>DD1</sub> = 2.3 V			45	MHz

**Electrical Characteristics** ( $T_A = -10$  to  $+75^\circ\text{C}$ ,  $V_{DD1} = 2.3$  to  $3.6$  V,  $V_{DD2} = 8.5$  V  $\pm$  0.5 V,  $V_{SS1} = V_{SS2} = 0$  V, unless otherwise specified, the input level is defined to be LPC = L, Bcont = Open)

Parameter	Symbol	Condition	MIN.	TYP.	MAX.	Unit
Input Leak Current	I <sub>IL</sub>	Except LPC			±1.0	μA
		LPC	T.B.D.		T.B.D.	μA
High-Level Output Voltage	V <sub>OH</sub>	STHR (STHL), I <sub>OH</sub> = 0 mA	V <sub>DD1</sub> - 0.1			V
Low-Level Output Voltage	V <sub>OL</sub>	STHR (STHL), I <sub>OL</sub> = 0 mA			0.1	V
γ-Corrected Resistance	R <sub>γ</sub>	V <sub>0</sub> to V <sub>4</sub> = V <sub>5</sub> to V <sub>9</sub> = 4.0 V	T.B.D.	T.B.D.	T.B.D.	kΩ
Driver Output Current	I <sub>VOH</sub> I <sub>VOL</sub>	V <sub>X</sub> = 7.0 V, V <sub>OUT</sub> = 6.5 V <sup>Note</sup>			-30	μA
		V <sub>X</sub> = 1.0 V, V <sub>OUT</sub> = 1.5 V <sup>Note</sup>	30			μA
Output Voltage Deviation	ΔV <sub>O</sub>	T <sub>A</sub> = 25°C, V <sub>DD1</sub> = 3.3 V, V <sub>DD2</sub> = 8.5 V,		±7	±20	mV
Output Swing Difference Deviation	ΔV <sub>P-P</sub>	V <sub>OUT</sub> = 2.0 V, 4.25 V, 6.5 V		±2	±15	mV
Logic Part Dynamic Current Consumption	I <sub>DD1</sub>	V <sub>DD1</sub>		1.0	7.5	mA
Driver Part Dynamic Current Consumption	I <sub>DD2</sub>	V <sub>DD2</sub> , with no load		3.5	7.5	mA

**Note** V<sub>X</sub> refers to the output voltage of analog output pins S<sub>1</sub> to S<sub>480</sub>.  
V<sub>OUT</sub> refers to the voltage applied to analog output pins S<sub>1</sub> to S<sub>480</sub>.

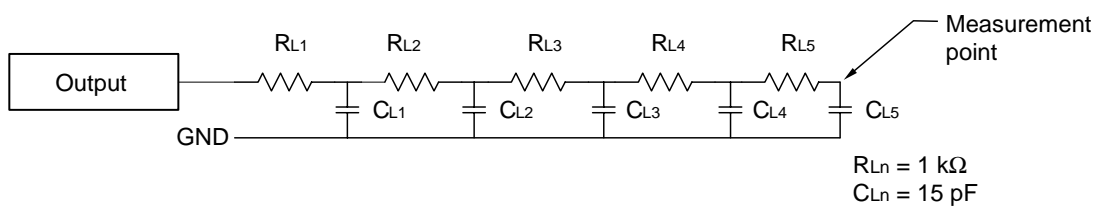
★ **Remark** T.B.D. (To be determined.)

- Cautions**
1. f<sub>STB</sub> = 50 kHz, f<sub>CLK</sub> = 40 MHz.
  2. The TYP. values refer to an all black or all white input pattern. The MAX. value refers to the measured values in the dot checkerboard input pattern.
  3. Refers to the current consumption per driver when cascades are connected under the assumption of UXGA single-sided mounting (10 units).

**Switching Characteristics** ( $T_A = -10$  to  $+75^\circ\text{C}$ ,  $V_{DD1} = 2.3$  to  $3.6$  V,  $V_{DD2} = 8.5$  V  $\pm$  0.5 V,  $V_{SS1} = V_{SS2} = 0$  V, unless otherwise specified, the input level is defined to be LPC = L, Bcont = Open)

Parameter	Symbol	Condition	MIN.	TYP.	MAX.	Unit
Start Pulse Delay Time	t <sub>PLH1</sub>	C <sub>L</sub> = 10 pF		10	20	ns
	t <sub>PHL1</sub>			10	20	ns
Driver Output Delay Time	t <sub>PLH2</sub>	C <sub>L</sub> = 75 pF, R <sub>L</sub> = 5 kΩ		2.5	5	μs
	t <sub>PLH3</sub>			5	8	μs
	t <sub>PHL2</sub>			2.5	5	μs
	t <sub>PHL3</sub>			5	8	μs
Input Capacitance	C <sub>I1</sub>	STHR (STHL) excluded, T <sub>A</sub> = 25°C		5	10	pF
	C <sub>I2</sub>	STHR (STHL), T <sub>A</sub> = 25°C		8	10	pF

**<Test Condition>**



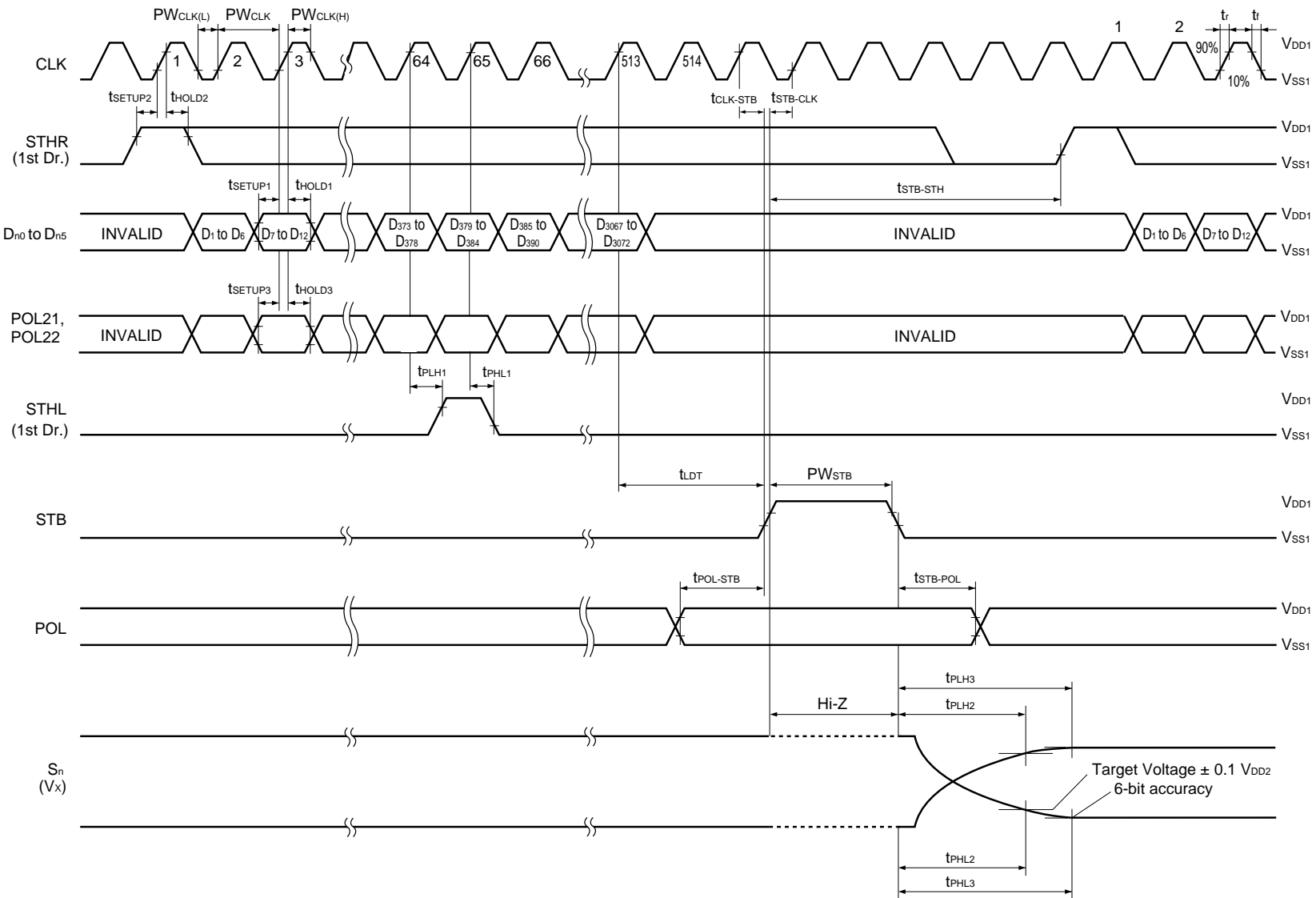
**Timing Requirements (T<sub>A</sub> = -10 to +75°C, V<sub>DD1</sub> = 2.3 to 3.6 V, V<sub>SS1</sub> = 0 V, t<sub>r</sub> = t<sub>f</sub> = 5.0 ns)**

Parameter	Symbol	Condition	MIN.	TYP.	MAX.	Unit
Clock Pulse Width	PW <sub>CLK</sub>		22			ns
Clock Pulse High Period	PW <sub>CLK(H)</sub>		4			ns
Clock Pulse Low Period	PW <sub>CLK(L)</sub>	2.3 V ≤ V <sub>DD1</sub> < 3.0 V	7			ns
		3.0 V ≤ V <sub>DD1</sub> ≤ 3.6 V	4			ns
Data Setup Time	t <sub>SETUP1</sub>		3			ns
Data Hold Time	t <sub>HOLD1</sub>		0			ns
Start Pulse Setup Time	t <sub>SETUP2</sub>		3			ns
Start Pulse Hold Time	t <sub>HOLD2</sub>		0			ns
POL21, POL22 Setup Time	t <sub>SETUP3</sub>		3			ns
POL21, POL22 Hold Time	t <sub>HOLD3</sub>	2.3 V ≤ V <sub>DD1</sub> < 3.0 V	1			ns
		3.0 V ≤ V <sub>DD1</sub> ≤ 3.6 V	0			ns
STB Pulse Width	PW <sub>STB</sub>		2			CLK
Last Data Timing	t <sub>LDT</sub>		2			CLK
CLK-STB Time	t <sub>CLK-STB</sub>	CLK ↑ → STB ↑	6			ns
STB-CLK Time	t <sub>STB-CLK</sub>	STB ↑ → CLK ↑ 2.3 V ≤ V <sub>DD1</sub> < 3.0 V	14			ns
		STB ↑ → CLK ↑ 3.0 V ≤ V <sub>DD1</sub> ≤ 3.6 V	6			ns
Time Between STB and Start Pulse	t <sub>STB-STH</sub>	STB ↑ → STHR(STHL) ↑	2			CLK
POL-STB Time	t <sub>POL-STB</sub>	POL ↑ or ↓ → STB ↑	-5			ns
STB-POL Time	t <sub>STB-POL</sub>	STB ↓ → POL ↓ or ↑	6			ns

**Remark** Unless otherwise specified, the input level is defined to be V<sub>IH</sub> = 0.7 V<sub>DD1</sub>, V<sub>IL</sub> = 0.3 V<sub>DD1</sub>.

★ Switching Characteristic Waveform (R<sub>L</sub>/I<sub>L</sub> = H)

Unless otherwise specified, the input level is defined to be V<sub>IH</sub> = 0.7 V<sub>DD1</sub>, V<sub>IL</sub> = 0.3 V<sub>DD1</sub>.



**11. RECOMMENDED MOUNTING CONDITIONS**

The following conditions must be met for mounting conditions of the μ PD16772B.

For more details, refer to the **Semiconductor Device Mounting Technology Manual (C10535E)**.

Please consult with our sales offices in case other mounting process is used, or in case the mounting is done under different conditions.

μ PD16772BN-xxx: TCP (TAB Package)

Mounting Condition	Mounting Method	Condition
Thermocompression	Soldering	Heating tool 300 to 350°C, heating for 2 to 3 seconds : pressure 100 g (per solder)
	ACF (Adhesive Conductive Film)	Temporary bonding 70 to 100°C : pressure 3 to 8 kg/cm <sup>2</sup> : time 3 to 5 sec. Real bonding 165 to 180°C: pressure 25 to 45 kg/cm <sup>2</sup> : time 30 to 40 sec. (When using the anisotropy conductive film SUMIZAC1003 of Sumitomo Bakelite, Ltd).

**Caution** To find out the detailed conditions for mounting the ACF part, please contact the ACF manufacturing company. Be sure to avoid using two or more mounting methods at a time.



[MEMO]

[MEMO]

**NOTES FOR CMOS DEVICES****① PRECAUTION AGAINST ESD FOR SEMICONDUCTORS**

Note:

Strong electric field, when exposed to a MOS device, can cause destruction of the gate oxide and ultimately degrade the device operation. Steps must be taken to stop generation of static electricity as much as possible, and quickly dissipate it once, when it has occurred. Environmental control must be adequate. When it is dry, humidifier should be used. It is recommended to avoid using insulators that easily build static electricity. Semiconductor devices must be stored and transported in an anti-static container, static shielding bag or conductive material. All test and measurement tools including work bench and floor should be grounded. The operator should be grounded using wrist strap. Semiconductor devices must not be touched with bare hands. Similar precautions need to be taken for PW boards with semiconductor devices on it.

**② HANDLING OF UNUSED INPUT PINS FOR CMOS**

Note:

No connection for CMOS device inputs can be cause of malfunction. If no connection is provided to the input pins, it is possible that an internal input level may be generated due to noise, etc., hence causing malfunction. CMOS devices behave differently than Bipolar or NMOS devices. Input levels of CMOS devices must be fixed high or low by using a pull-up or pull-down circuitry. Each unused pin should be connected to  $V_{DD}$  or GND with a resistor, if it is considered to have a possibility of being an output pin. All handling related to the unused pins must be judged device by device and related specifications governing the devices.

**③ STATUS BEFORE INITIALIZATION OF MOS DEVICES**

Note:

Power-on does not necessarily define initial status of MOS device. Production process of MOS does not define the initial operation status of the device. Immediately after the power source is turned ON, the devices with reset function have not yet been initialized. Hence, power-on does not guarantee out-pin levels, I/O settings or contents of registers. Device is not initialized until the reset signal is received. Reset operation must be executed immediately after power-on for devices having reset function.

**Reference Documents****NEC Semiconductor Device Reliability/Quality Control System(C10983E)****Quality Grades On NEC Semiconductor Devices(C11531E)**

- **The information in this document is current as of July 2002. The information is subject to change without notice. For actual design-in, refer to the latest publications of NEC's data sheets or data books, etc., for the most up-to-date specifications of NEC semiconductor products. Not all products and/or types are available in every country. Please check with an NEC sales representative for availability and additional information.**
  - No part of this document may be copied or reproduced in any form or by any means without prior written consent of NEC. NEC assumes no responsibility for any errors that may appear in this document.
  - NEC does not assume any liability for infringement of patents, copyrights or other intellectual property rights of third parties by or arising from the use of NEC semiconductor products listed in this document or any other liability arising from the use of such products. No license, express, implied or otherwise, is granted under any patents, copyrights or other intellectual property rights of NEC or others.
  - Descriptions of circuits, software and other related information in this document are provided for illustrative purposes in semiconductor product operation and application examples. The incorporation of these circuits, software and information in the design of customer's equipment shall be done under the full responsibility of customer. NEC assumes no responsibility for any losses incurred by customers or third parties arising from the use of these circuits, software and information.
  - While NEC endeavours to enhance the quality, reliability and safety of NEC semiconductor products, customers agree and acknowledge that the possibility of defects thereof cannot be eliminated entirely. To minimize risks of damage to property or injury (including death) to persons arising from defects in NEC semiconductor products, customers must incorporate sufficient safety measures in their design, such as redundancy, fire-containment, and anti-failure features.
  - NEC semiconductor products are classified into the following three quality grades:  
"Standard", "Special" and "Specific". The "Specific" quality grade applies only to semiconductor products developed based on a customer-designated "quality assurance program" for a specific application. The recommended applications of a semiconductor product depend on its quality grade, as indicated below. Customers must check the quality grade of each semiconductor product before using it in a particular application.  
"Standard": Computers, office equipment, communications equipment, test and measurement equipment, audio and visual equipment, home electronic appliances, machine tools, personal electronic equipment and industrial robots  
"Special": Transportation equipment (automobiles, trains, ships, etc.), traffic control systems, anti-disaster systems, anti-crime systems, safety equipment and medical equipment (not specifically designed for life support)  
"Specific": Aircraft, aerospace equipment, submersible repeaters, nuclear reactor control systems, life support systems and medical equipment for life support, etc.
- The quality grade of NEC semiconductor products is "Standard" unless otherwise expressly specified in NEC's data sheets or data books, etc. If customers wish to use NEC semiconductor products in applications not intended by NEC, they must contact an NEC sales representative in advance to determine NEC's willingness to support a given application.

(Note)

(1) "NEC" as used in this statement means NEC Corporation and also includes its majority-owned subsidiaries.

(2) "NEC semiconductor products" means any semiconductor product developed or manufactured by or for NEC (as defined above).